



AB3-40-RS-120

120V Standard Electronic Ballast Rapid Start Series lamp operation

Lamp Type	F40T12	FB40T12	F40T10	F34T12	FB34T12
Rated Lamp Watts	40	40	40	34	34
Ballast Factor	85	85	86	81	81
Input Power (W)	105	105	105	85	85
Input Current (A)	0.875	0.875	0.875	0.708	0.708
Power Factor	.98	.98	.98	.98	.98
THD	<20%	<20%	<20%	<20%	<20%
Ballast Efficacy Factor	0.81	0.81	0.81	0.953	0.953

BALLAST SPECIFICATIONS

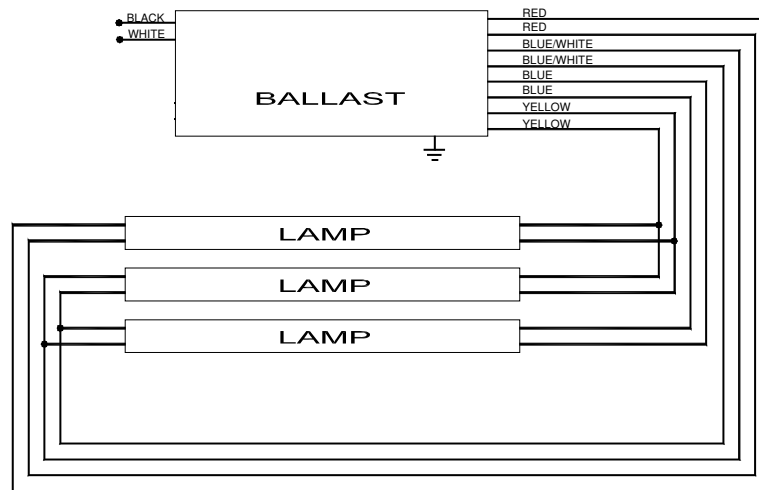
- ☑ Ballast shall have a five-year warranty.
- ☑ Ballast shall be UL certified
- ☑ Ballast shall be sound rated Class A.
- ☑ Ballast shall be Class P Type 1 Outdoor
- ☑ Ballast shall have a Lamp Current Crest Factor of <1.7.
- ☑ Ballast shall withstand line transients as specified in ANSI C62.41-1991
- ☑ Ballast shall comply with the limits of FCC Part 18C Class B (Residential) and Class A
- ☑ Ballast shall have a lamp operating frequency greater than 20kHz.
- ☑ Ballast shall have a 32°F minimum lamp starting temperature for primary lamp.
- ☑ Ballast shall be potted.
- ☑ Ballast shall be Rapid Start
- ☑ Ballast shall be Series Lamp Operation
- ☑ Ballast shall have minimum Power Factor of 98% for primary lamp operation
- ☑ Ballast shall operate within +/- 10% of the ballast specified line voltage at 60 Hz.
- ☑ Ballast shall have a maximum case hot spot temperature of 70 Celsius.

AMERICAN BALLAST 47800 FREMONT BLVD, FREMONT, CA 94538
1-510-445-0100 Fax: (510) 445-1678 Email: info@americanballast.com

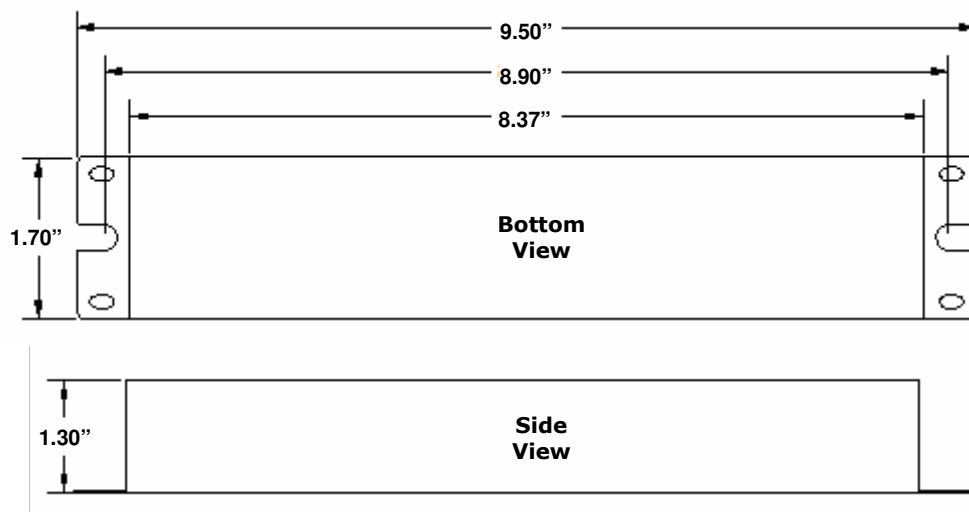
AB3-40-RS-120

WIRING DIAGRAMS

THREE LAMP OPERATION



BALLAST DIMENSIONS



AMERICAN BALLAST 47800 FREMONT BLVD, FREMONT, CA 94538
 1-510-445-0100 Fax: (510) 445-1678 Email: info@americanballast.com